



**EXOS**  
DEFENSE



**QDE**  
M4 BUTTSTOCK

### QD Enhanced Lightweight M4 Buttstock

Installs without tools

Available for Milspec Receiver Extensions

Weighs only 6.7 oz.

Constructed from milspec glass-filled nylon

Phosphate-protected hardware

Blackened stainless steel quick-detach sling sockets

Enhanced milspec M4 stock design

Available in seven standard colors (as shown)

Made in the USA!



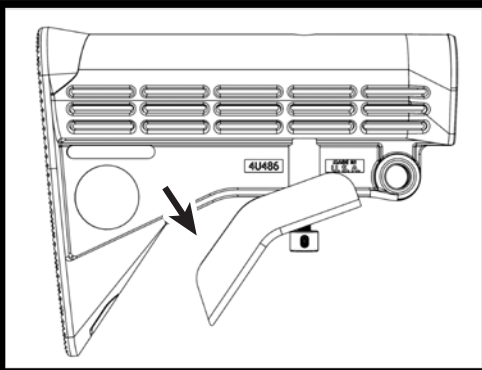
Made In USA  
[www.ExosDefense.com](http://www.ExosDefense.com)



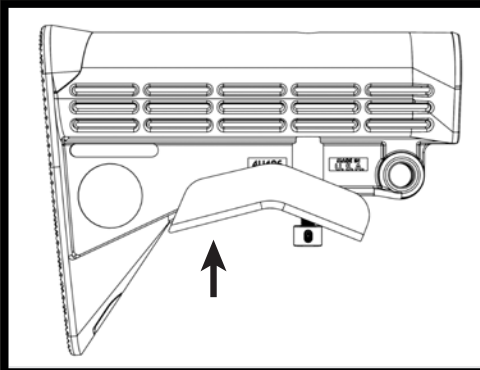


## QDE

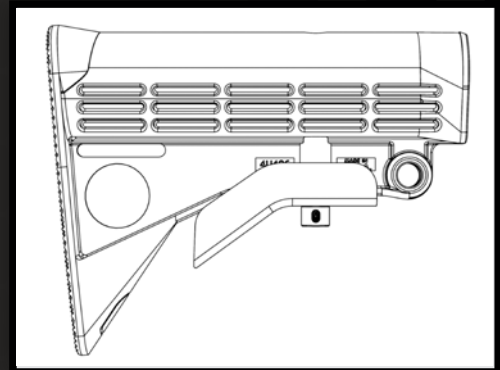
### M4 BUTTSTOCK



INSTALL



ADJUST



LOCK

**Note:** Ensure that your rifle is equipped with a Milspec diameter receiver extension intended for use with a collapsible buttstock. Consult the rifle's original manufacturer or review the technical info found on [www.exosdefense.com](http://www.exosdefense.com) to determine which size extension is installed on your rifle.

1. Remove your old collapsible buttstock by pulling the adjustment lever AWAY from the body of the buttstock (See "Install" image) while sliding the stock away from the rifle's receiver until the stock is free from the receiver extension. Operation of buttstocks varies. Consult original manufacturer's guidelines if needed.

2. Slide the QDE on to your rifle's receiver extension while holding the adjustment lever away from the stock body (See "Install" image). Release adjustment lever once stock is in fully collapsed position.

3. Adjust position of stock as desired by pressing adjustment lever toward stock body (See "Adjust" image) and sliding stock into chosen position. Release adjustment lever. Ensure stock is locked in position (See "Lock" image) with a rearward tug on stock body.

