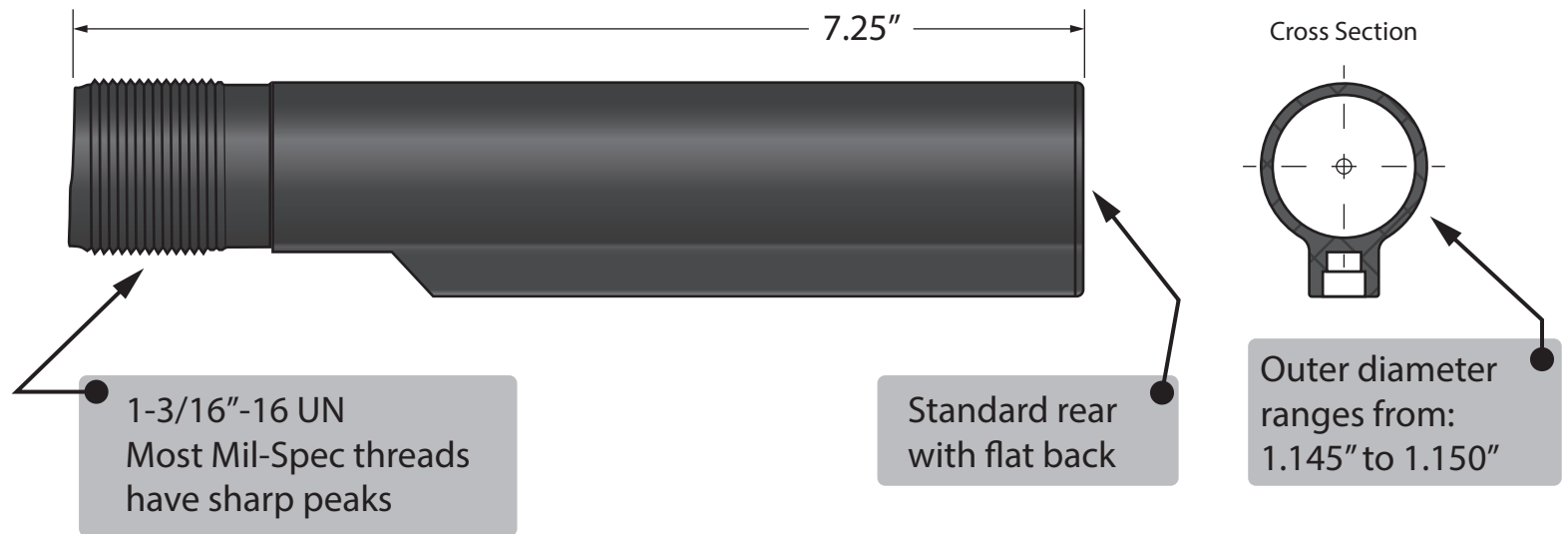


Receiver Extension Identification Guide

There are two general types of Receiver Extensions on the market "Mil-Spec" and "Commercial". Use the following Identification points to more accurately identify your Receiver Extension.

1. If possible, use callipers to identify the outer diameter of your tube.
2. Check if your tube has an angled or flat back
3. Carefully inspect your tubes threads, do your threads have sharp peaks that extend slightly further than the tube diameter or do the threads have flat/cut-off peaks which are even with the tube diameter.

"Mil-Spec" Receiver Extension



"Commercial" Receiver Extension

