



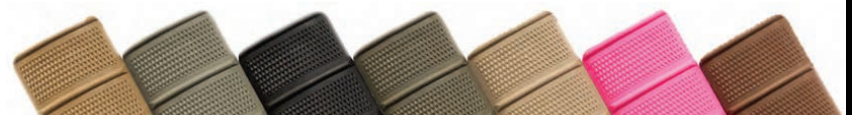
# Ti-7

## Enhanced Carbine Buttstock



### Ti-7 Enhanced Carbine Buttstock

- Installs without tools
- Available in Milspec or Commercial sizes
- Constructed from Milspec Glass-Filled Nylon
- 100% Stainless Steel hardware
- Weighs 11.8 ounces
- Battery storage compartments
- Quick-Detach sling sockets
- Self-adjusting anti-rattle mechanism
- Snag-free design
- Available in seven standard colors
- Overmolded rubberized buttpad
- Protected Release Lever



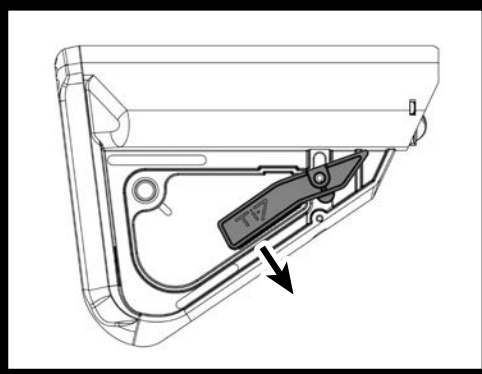
Made In USA  
[www.ExosDefense.com](http://www.ExosDefense.com)



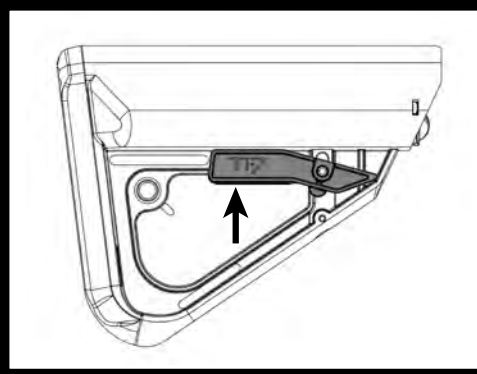


# TI-7

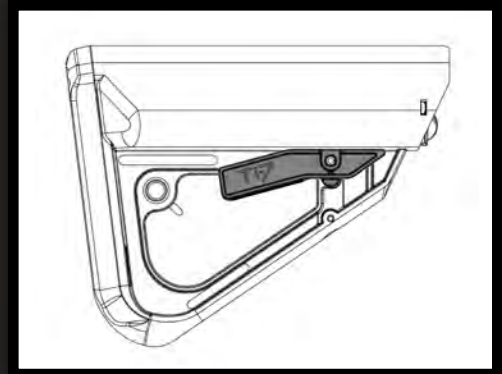
## Enhanced Carbine Buttstock



INSTALL



ADJUST



LOCK

**Note:** Ensure that your rifle is equipped with either a Milspec diameter or commercial diameter receiver extension intended for use with a collapsible buttstock. Consult the rifle's original manufacturer or review the technical info found on [www.exosdefense.com](http://www.exosdefense.com) to determine which size extension is installed on your rifle.

1. Remove your old collapsible buttstock by pulling the adjustment lever AWAY from the body of the buttstock (See illustration 1) while sliding the stock away from the rifle's receiver until the stock is free from the receiver extension. Operation of buttstocks varies. Consult original manufacturer's guidelines if needed.

2. Slide the TI-7 on to your rifle's receiver extension while holding the adjustment lever away from the stock body (See illustration 1). Release adjustment lever (See illustration 2) once stock is in fully collapsed position.

3. Adjust position of stock as desired by pressing adjustment lever toward stock body (See illustration 3) and sliding stock into chosen position. Release adjustment lever. Ensure stock is locked in position with a rearward tug on stock body.

